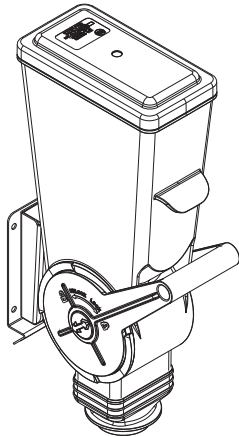
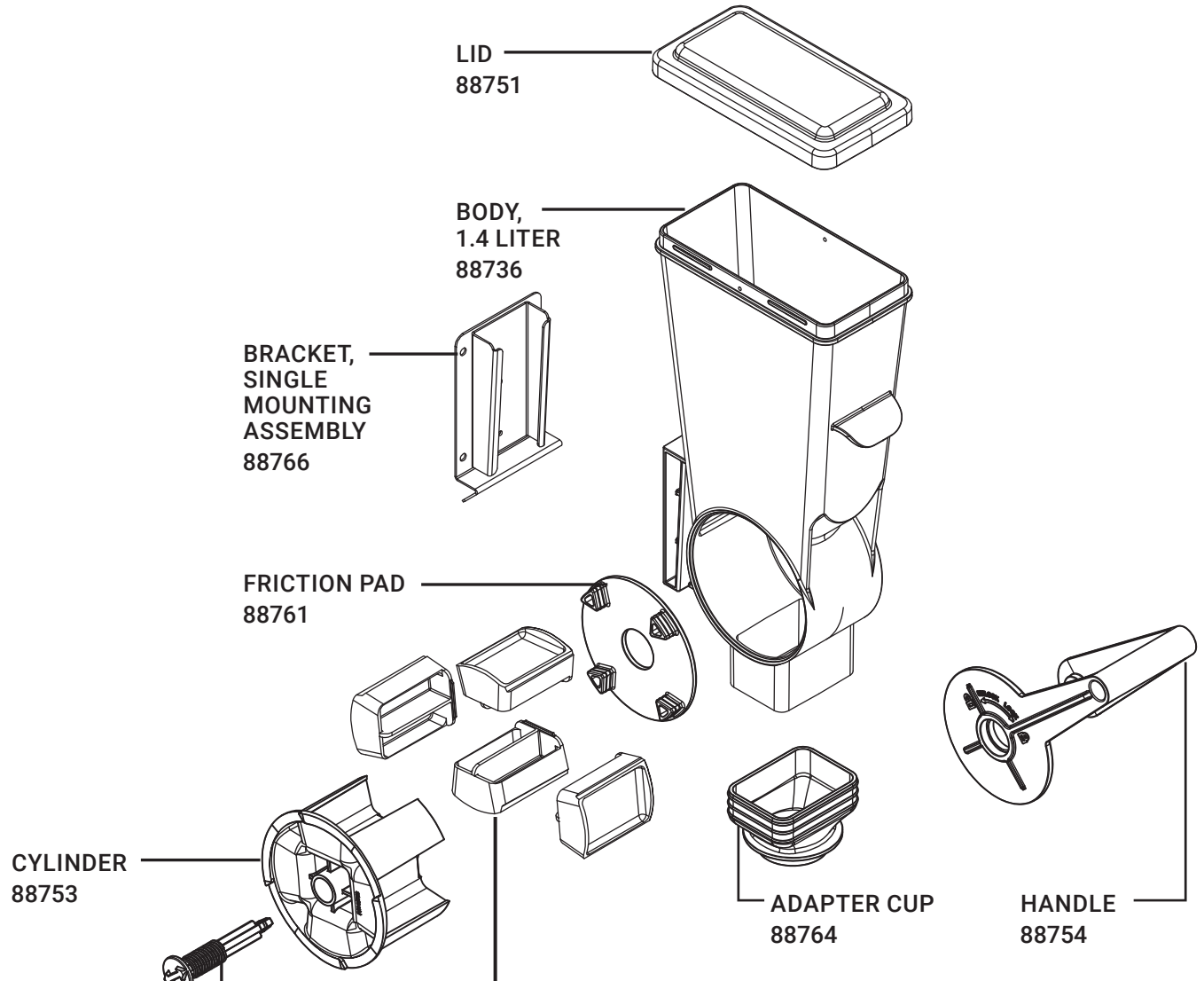


89264

SlimLine DFD-1.4L, Single w/Bracket



Complete View for Reference



PORTION TRAYS		
<u>4-PACK</u>	<u>COLOR</u>	<u>PORTION</u>
88795	WHITE	0.50 FL OZ
88796	BLUE	0.75 FL OZ
88799	GREEN	1.0 FL OZ
88797	PINK	1.5 FL OZ