

SERVER®

• E S S E N T I A L S •

Soup Warmers Single Insets

SPECIFICATION SHEET

FAST FACTS

NSF listed Single Inset rethermalizers heat food quickly to a safe serving temperature, retain an accurate even temp all day long and preserve food quality and flavor by collecting and returning condensation captured by the hinged lid

APPLICATIONS

- Hold soups at the perfect temperature, from delicate cream-based soups to hearty stews and chili
- Great for heating proteins and other foods

DETAILS

- Compact rethermalizing warmers keep soups, proteins and other foods at the perfect temperature from the first serving until the last
- Larger capacity leaves room to stir
- FS-7 and FS-11 handles assist in opening larger lids ergonomically – no more reaching over steam
- Precise temperature control and accurate, even heat eliminates wasted servings – no scorching as product depletes



FS-4 Plus 81000

FS-7 84000



FS-11 84100



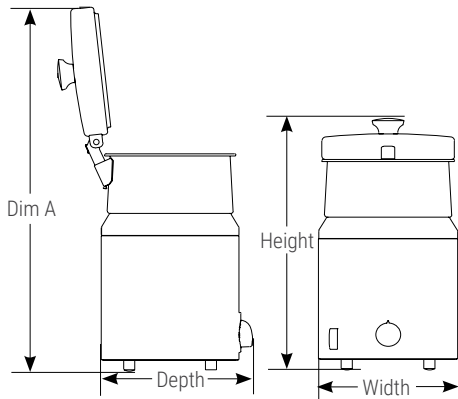
Food retains
flavor and quality
– the moisture-
conserving
lid returns
condensation
back to food



Purposefully made to last.

SOUP WARMERS MODELS: FS-4 PLUS, FS-7 & FS-11

Server models FS-4, FS-7 and FS-11 Rethermalizing Soup Warmers are a series of round, water-bath cookers/warmers constructed of stainless steel. Includes inset and lid assemblies. Hinged, moisture-conserving lid remains upright while ladling, and collects and returns moisture to food. An adjustable thermostat controls the wraparound heating element, and temperature settings are marked on the knob; The FS-4 Plus has a 5 quart inset and uses 500 watts of power, the FS-7 has a 7 quart inset and uses 1000 watts, and the FS-11 has an 11 quart inset and uses 1500 watts. Plug is NEMA 5-15P with 72" cord. NSF listed. Rethermalizer. C-UL-US listed. Two-year warranty.



ACCESSORY ITEMS

order amt	item	description	order amt	item	description
<input type="checkbox"/>	81111	5 qt inset & lid assembly	<input type="checkbox"/>	82660	2 oz ladle
<input type="checkbox"/>	84040	7 qt inset & lid assembly	<input type="checkbox"/>	82574	4 oz ladle
<input type="checkbox"/>	84149	11 qt inset & lid assembly	<input type="checkbox"/>	82661	6 oz ladle
			<input type="checkbox"/>	82662	8 oz ladle

order amt	model/item	description	capacity	dims (H x W x D)	dim A	weight	plug	voltage	watts/amps
<input type="checkbox"/>	FS-4+ 81000	inset warmer	5 qt	14 7/8" x 7 3/4" x 8 1/2"	20 7/8"	9 lb	 USA	120AC	500W 4.1A
<input type="checkbox"/>	FS-7 84000	inset warmer	7 qt	14 1/8" x 9 9/16" x 11"	22 11/16"	13 lb		1000W 8.3A	
<input type="checkbox"/>	FS-11 84100	inset warmer	11 qt	14 1/2" x 11 9/16" x 13"	24 13/16"	16 lb		1500W 12.5A	

RELATED ITEMS

FS-4 Plus can be fitted with a squeeze bottle inset so you can add a special touch to a dessert or specialty item.

86811 Squeeze Bottle Insert Kit



86809 Single Squeeze Bottle, high density, 16 oz



REDUCE WASTE AND RETAIN TASTE WITH SERVER SOUP WARMERS
 SERVER-PRODUCTS.COM | 800.558.8722 | 262.628.5600